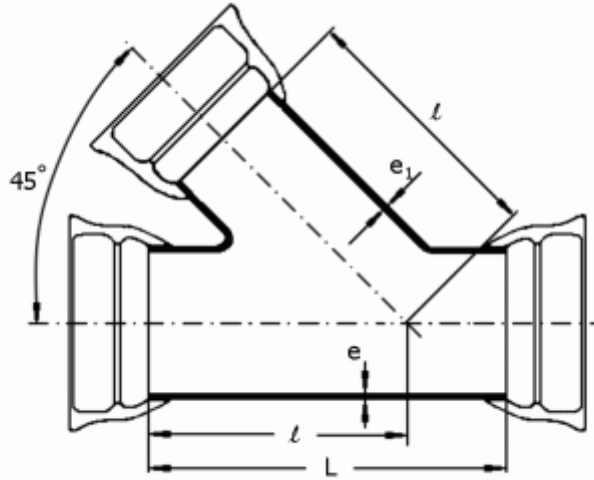




●Type T 45° Angle Branch All Socket Tee



Unit: mm

Body			Branch			Weight (kg)
DN	e	L	dn	e <sub>1</sub>	l	
80	8.1	500	80	8.1	375	22.3
100	8.4	520	80	8.1	390	26.5
	8.4	540	100	8.4	405	29.1
150	9.1	570	80	8.1	430	39.7
	9.1	590	100	8.4	445	42.6
	9.1	640	150	9.1	480	50.9
200	9.8	640	100	8.4	490	59.0
	9.8	690	150	9.1	525	68.0
	9.8	735	200	9.8	560	78.3
250	10.5	740	150	9.1	570	89.0
	10.5	785	200	9.8	605	100.0
	10.5	830	250	10.5	640	112.7
300	11.2	785	150	9.1	605	113.0
	11.2	830	200	9.8	640	124.5
	11.2	885	250	10.5	680	138.9
	11.2	930	300	11.2	715	154.7
350	11.9	755	200	9.8	680	142.4
	11.9	795	250	10.5	715	156.0
	11.9	840	300	11.2	755	172.3
	11.9	880	350	11.9	790	190.0
400	12.6	810	200	9.8	725	174.2
	12.6	840	250	10.5	755	187.2
	12.6	880	300	11.2	790	203.3
	12.6	930	350	11.9	835	223.6
450	12.6	970	400	12.6	870	244.1
	13.3	900	250	10.5	805	224.6
	13.3	930	300	11.2	835	240.0
	13.3	970	350	11.9	870	259.0
	13.3	1015	400	12.6	910	281.9
	13.3	1060	450	13.3	950	305.8



SHIN NAN CASTING FACTORY CO., LTD. Unit: mm

Body			Branch			Weight (kg)
DN	e	L	dn	e <sub>1</sub>	l	
500	14.0	930	250	10.5	835	263.7
	14.0	970	300	11.2	870	281.4
	14.0	1015	350	11.9	915	302.8
	14.0	1060	400	12.6	955	325.5
	14.0	1100	450	13.3	990	350.2
600	14.0	1140	500	14.0	1025	387.9
	15.4	1060	300	11.2	955	379.5
	15.4	1110	350	11.9	1000	404.4
	15.4	1140	400	12.6	1025	425.0
	15.4	1180	450	13.3	1065	451.8
	15.4	1220	500	14.0	1100	480.4
	15.4	1310	600	15.4	1180	550.3

SHIN NAN CASTING FACTORY CO., LTD.

SHIN NAN CASTING FACTORY CO., LTD.

SHIN NAN CASTING FACTORY CO., LTD.

SHIN NAN CASTING FACTORY CO., LTD.

SHIN NAN CASTING FACTORY CO., LTD.

SHIN NAN CASTING FACTORY CO., LTD.

SHIN NAN CASTING FACTORY CO., LTD.

SHIN NAN CASTING FACTORY CO., LTD.